

## eSET Touchfree Basin mixer with temperature setting for combining with wall-mounted fittings -

---

35 741 970 90



- lead-free
- 2x male thread 1/2" connection
- 2x back flow preventer
- 2x integrated supply stop
- concealed installation
- min. recess depth 90 mm
- max. recess depth 125 mm

**Can be combined with spouts from the Vaia, Lissé, CL.1, IMO, Tara., Tara Logic, Meta.02, Deque, Supernova, Symetrics, LULU and MEM series**

**Cannot be combined with spouts with a pull-rod pop-up waste.**

**Please combine with item no. 10 126 970-FF Other series and finishes on request (x-TRA SERVICE)**

**ATTENTION: Separate terms and conditions for electronic articles are applicable.**

Can be combined with spouts from the Vaia, Lissé, CL.1, IMO, Tara., Tara Logic, Meta.02, Deque, Supernova, Symetrics, LULU and MEM series

Cannot be combined with spouts with a pull-rod pop-up waste.

Please combine with item no. 10 126 970-FF

Other series and finishes on request (x-TRA SERVICE)

ATTENTION: Separate terms and conditions for electronic articles are applicable.

### Required miscellaneous

---

**Leak protection 1/2" -**

- This article is needed 2x.

12 010 970 90

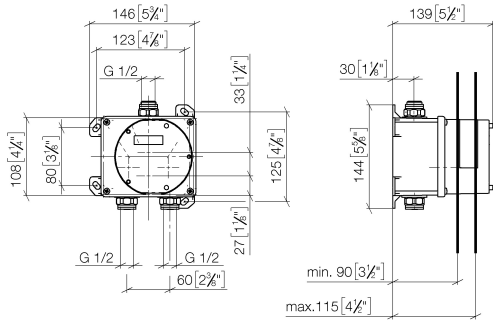




## eSET Touchfree Basin mixer with temperature setting for combining with wall-mounted fittings -

---

35 741 970 90  
mm [inches]



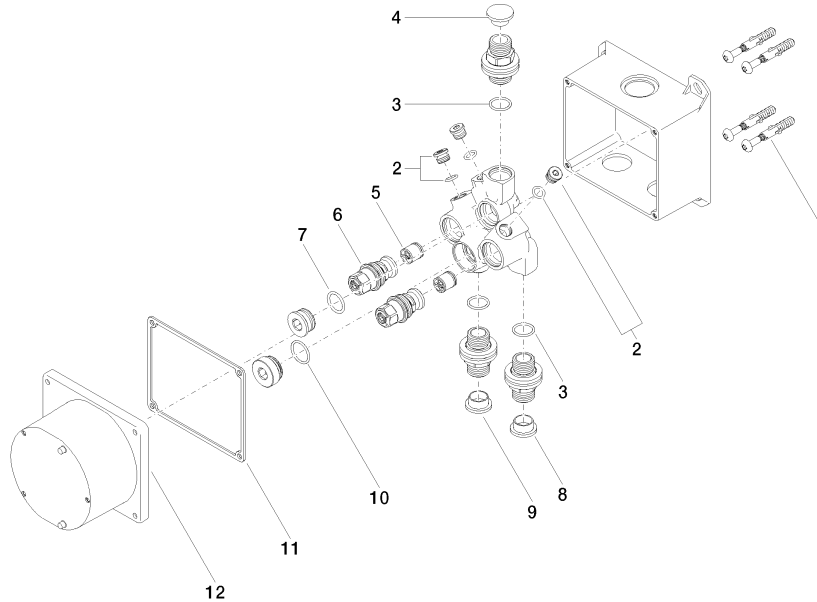
### Certificates

---

WRAS\_1906116. Belgaqua\_23-210- LGA\_29119.  
27\_1.

## eSET Touchfree Basin mixer with temperature setting for combining with wall-mounted fittings -

35 741 970 90



### Spare parts list

No.	Item Number	Name	Quantity used	Delivery time
1	04 30 31 024 01 90	fixing set	2	2
2	04 31 20 039 11 90	plug	3	2
3	90 14 10 010 00 90	seal	3	2
4	09 31 20 092 90	plug	1	2
5	90 23 01 040 00 90	back-flow preventer	2	2
6	04 29 05 031 01 90	insert	2	2
7	09 14 10 117 90	seal	1	2
8	09 31 20 094 90	plug	1	2
9	09 31 20 093 90	plug	1	2
10	09 14 10 031 90	seal	1	2
11	09 14 03 103 90	seal	1	2
12	09 11 11 011 90	lid	1	2